

## 1064nm High Power In Line Optical Isolator

**Features:**

Low Insertion Loss High Isolation & Return Loss  
High reliability

**Application:**

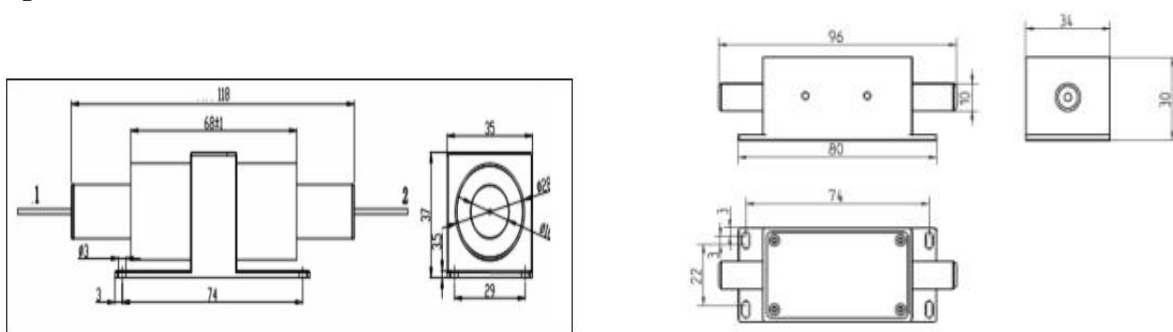
Fiber Laser source & Amplifier

**Specifications:**

Parameter		Value
Center wavelength (nm)		1030、1064、1080
Bandwidth (nm)		±10
Insertion Loss @23℃		≤1.0(typ.0.7)
Peak Isolation (dB)		35~42
Isolation at 23℃(dB)		≥25
PDL(dB)	Polarization insensitive	≤0.15
	Polarization sensitive	≥ 23
Return loss (Input/output) (dB)		≥50/50
Power handling Average power (W)		0.3-20w
Fiber Type		HI1060 fiber or LMA fiber
Operating temperature (℃)		0 ~ +65
Storage temperature (℃)		-20 ~ +85
Package Dimension (mm)		118x37x35 or 96x34x30

For device with connector, the IL will be 0.3dB higher will be 2dB lower and RL will be 5dB lower, the max handling power will be only 1W guaranteed

**Package dimension:**



**Ordering Information:**

HPIIS/HPSIS	Wavelength	Polarization Type	Power	Fiber Type	Pigtail Type	Length	Connector
HPIIS	1030=1030nm	I= Insensitive	0=300mW	1=HI1060fiber	2=900um	H=0.5m	0=None
=Insensitive	1040=1040nm	S= Sensitive	2=1W	S=Specify	loose tube	8=0.8m	1=FC/UPC
HPSIS	1053=1053nm		4=3W			1=1.0m	2=FC/APC
=Sensitive	1064=1064nm		5=5W			S=Specify	3=SC/APC
	1080=1080nm		A=10W				4=SC/UPC
			S=specify				6=LC/UPC
							7=LC/APC
							S=Specify